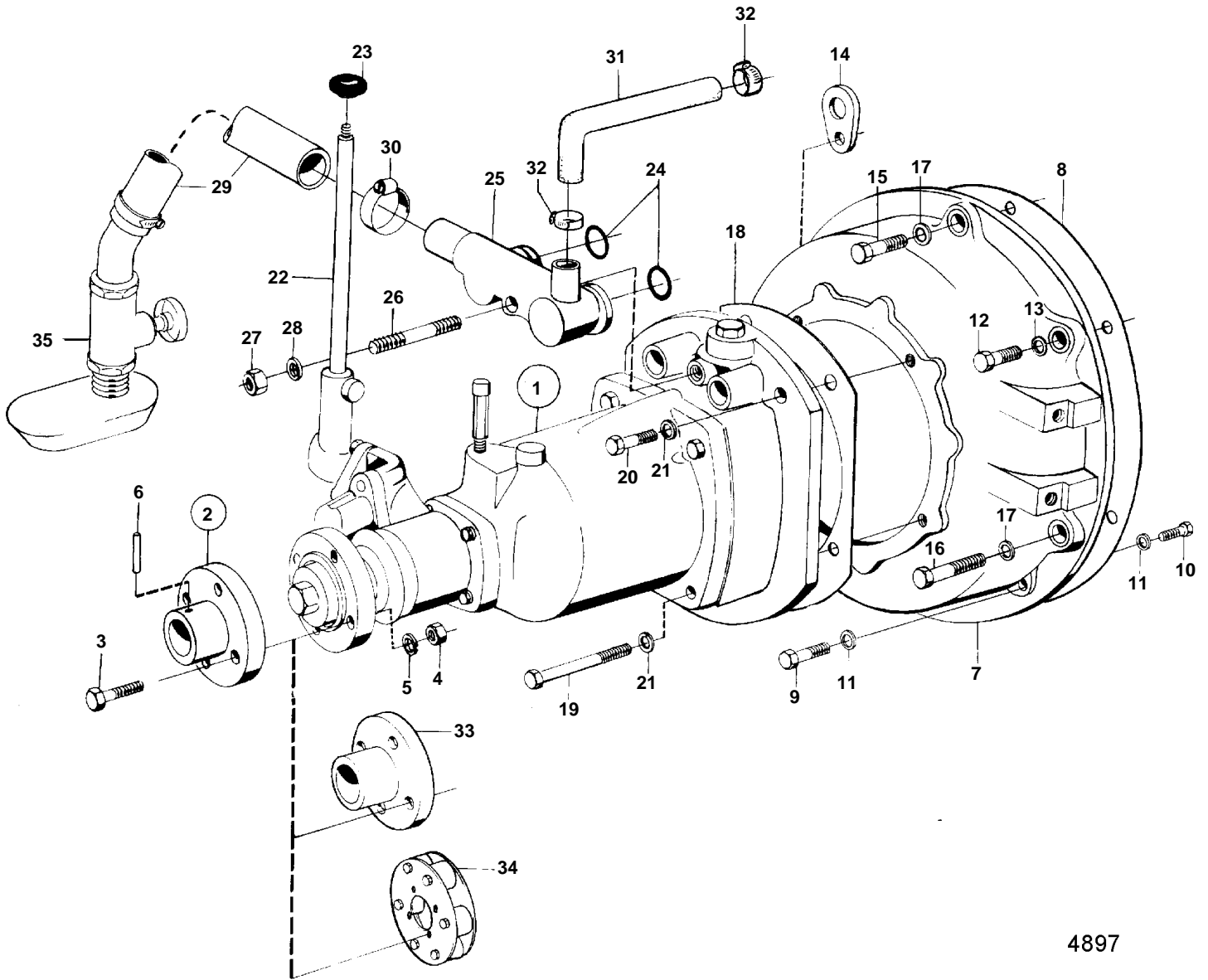


MD21A



4897

MD21A

REF	PART NO.	QTY	DESCRIPTION	NOTES
1		1	Reversing gear · COMPONENTS	SEE GROUP 4B
2		1	Clutch flange	DRILLED 30MM.
	827927	1	Clamp coupling	SEE GROUP 9
3	959239	4	· Hex. socket screw	
4	955783	4	· Hexagon nut	
5	941908	4	· Spring washer	
6	907599	1	· Taper pin	
7		1	Flywheel housing	
8	826765	1	Gasket	
9	940142	2	Hexagon screw	L = 30 MM
10	955297	1	Hexagon screw	L = 25 MM
11	955894	3	Washer	
12	955318	2	Hexagon screw	L = 30 MM
13	955895	1	Washer	
14		1	LIFT EYE	SEE GROUP 2A
15	959667	1	Hexagon screw	L = 50 MM SEE GROUP 2A
16		2	Hexagon screw	L = 70 MM SEE GROUP 2A
17	940280	3	Spring washer	SEE GROUP 2A
18	802696	1	Gasket	
19	955326	2	Hexagon screw	L = 70 MM
20	955317	2	Hexagon screw	L = 25 MM
21	941908	4	Spring washer	
22		1	Control lever	
23		1	Handle	
24	418657	2	Sealing ring	
25		1	Hose connection	SEE GROUP 2B
26		1	Stud	
27	955782	1	Hexagon nut	
28	955894	1	Washer	
29	941799	X	Hose	L = 1000 MM
30	961669	2	Hose clamp	
31		1	Rubber hook	
32	943476	2	Hose clamp	(951792)
33		1	Clutch half	DRILLED 35MM.
34	819153	1	Rubber coupling	SEE GROUP 9
35		1	COOLING WATER INTAKE	SEE GROUP 9